

# 3M™ Plastic D Ribbon Connectors

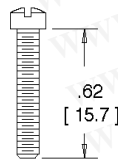
## Mounting Options and Hardware

勝特力材料 886-3-5753170  
 勝特力电子(上海) 86-21-54151736  
 勝特力电子(深圳) 86-755-83298787  
[Http://www.100y.com.tw](http://www.100y.com.tw)

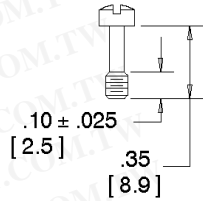
### Jack Screw Kit

3342-3

.62  
[15.7]

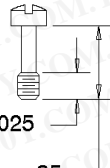


Screw (2)



3342-4

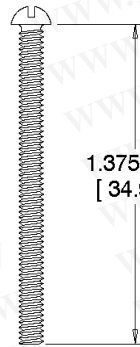
.10 ± .025  
[2.5]



.35  
[8.9]

3343-1

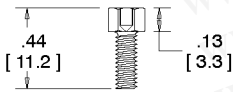
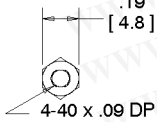
1.375 Ref  
[34.93]



### Jack Socket Kit

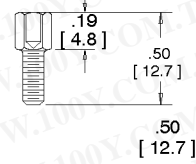
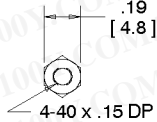
3341-1S

.19  
[4.8]



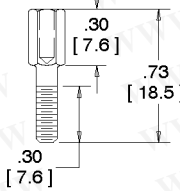
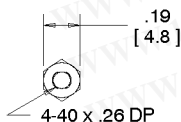
3341-1L

.19  
[4.8]



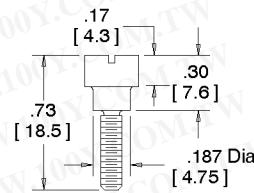
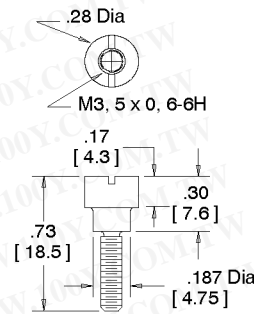
3341-2

.19  
[4.8]



3341-3

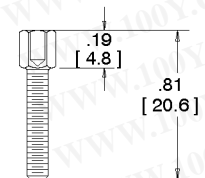
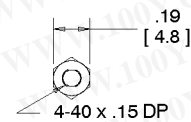
IEEE-488 Type



Plating:  
Black Oxide

3341-4

.19  
[4.8]



Product	3341-1S	3341-1L	3341-2	3341-3	3341-4	3343-1
Nut 4-40 UNC	2	2	2	2	2	2
Lock Washer	2	2	2	2	2	2
Spacer - Dia .0313	4	4	-	4	4	-
Jack Socket (Screw)	2	2	2	2	2	2

Material: Steel  
 Finish: Zinc with Clear Chromate  
 Thread: #4-40 UNC  
 (unless otherwise indicated)

Inch  
[mm]

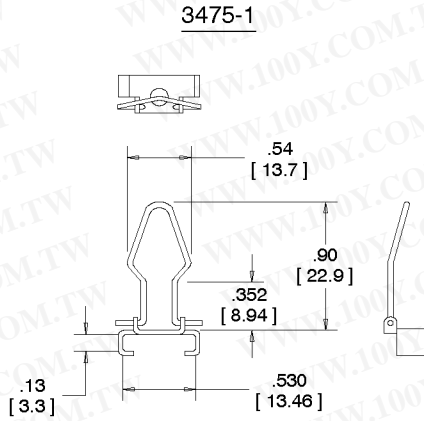
Tolerance Unless Noted		
	.0	.00
inch	±.1	±.01
		±.005

[ ] Dimensions for Reference Only

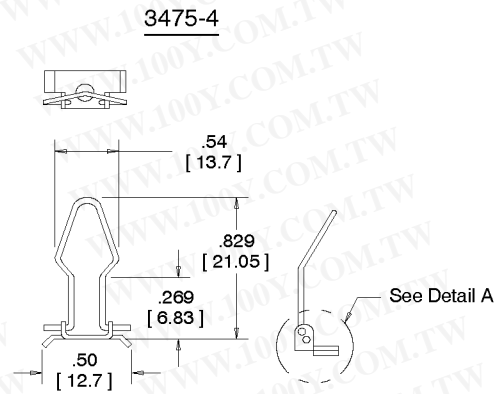
TS-0143-12  
 Sheet 1 of 3

# 3M™ Plastic D Ribbon Connectors

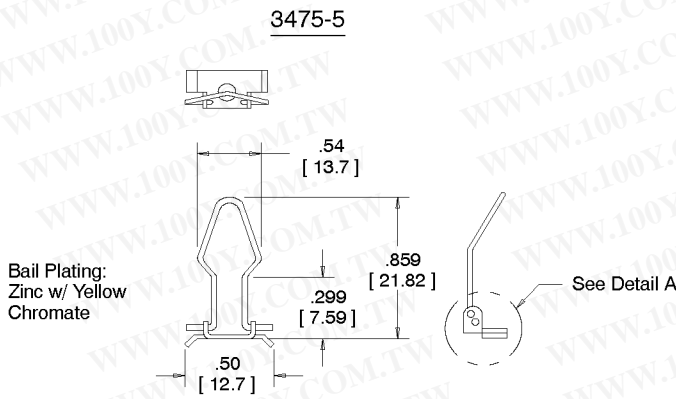
## Mounting Options and Hardware



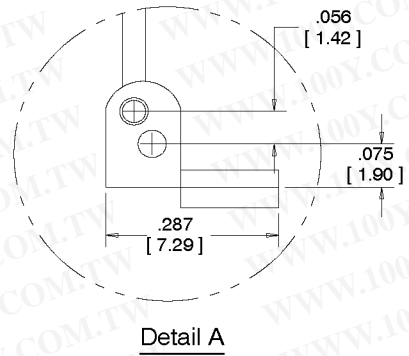
Plastic Connector  
Mounted to Front of Panel



Plastic & Metal Faced Connectors  
Mounted to Rear of  
.0625, .075, .125 Panels



Plastic & Metal Faced Connector  
Mounted to Rear of  
.035, .042, .094 Panels



- Kit Contains 2 ea  
Bail Assy  
Screw - 4-40 X .50, RND HD SLTD  
Nut - #4-40 UNC  
Washer - Lock-split

勝特力材料 886-3-5753170  
 勝特力电子(上海) 86-21-54151736  
 勝特力电子(深圳) 86-755-83298787  
[Http://www.100y.com.tw](http://www.100y.com.tw)

Inch  
[mm]

Tolerance Unless Noted			
	.0	.00	.000
inch	±.1	±.01	±.005

[ ] Dimensions for Reference Only

# 3M™ Plastic D Ribbon Connectors

## Mounting Options and Hardware

勝特力材料 886-3-5753170  
 勝特力电子(上海) 86-21-54151736  
 勝特力电子(深圳) 86-755-83298787  
[Http://www.100y.com.tw](http://www.100y.com.tw)

### Plastic Connector

#### Accessories

Contact Quantity	Mating Connectors		Junction Shell	Strain Relief	Pull-Tab
	Plug	Socket	Plastic		
14	3572-100X	3573-100X	3485-1800Y	3448-60	3490-2
24	3548-100X	3549-100X	3485-1700Y	3448-61	3490-2
36	3366-100X	3367-100X	3485-2800Y	3448-62	3490-3
50	3564-100X	3565-100X	3485-2500Y	3448-63	3490-5

#### Options:

X = Mounting Style  
 Y = "F" for Flat Cable; "R" for Round Cable

#### Cable Compatibility

Conductor Type and Sizes: 26 & 28 AWG Stranded, 26, 28 & 30 AWG Solid  
 Discrete Wire: Compatible with all of the above gauges of wire. It is recommended that a strain relief be used.  
 Conductor Pitch: .05" [ 1.27 mm ]  
 Cable Type: Round conductor flat, high flex, color coded ground plane, jacketed shielded or plated foil.

#### Assembly Equipment

3M Part Number	Flat Ribbon Cable Assembly			Hand Assembly	Discrete Wire Mass Termination		Discrete Single Wire Assembly
	Locator Plate	Platen	Assembly Press		3316 Press		
				Kit Number	Assembly Nest	Platen	Hand Tool
3572-XXXX	3443-58	3442-1A	3640 or 3335 or 3316* or 3830	N/A	3481-3	3442-1A	3430-1000
3573-XXXX							
3548-XXXX							
3549-XXXX							
3366-XXXX							
3367-XXXX							
3564-XXXX							
**3565-XXXX							
**3582-XXXX							

\*Refer to catalog for additional parts to be ordered with the 3316 press for the assembly of flat or discrete wire assemblies.

\*\*Remove the bail latches before making the assembly.